

***ALLENNAIR***<sup>®</sup>

**DIAL FEED TABLES**

**PARTS DRAWINGS  
AND  
PARTS PRICE LISTS**



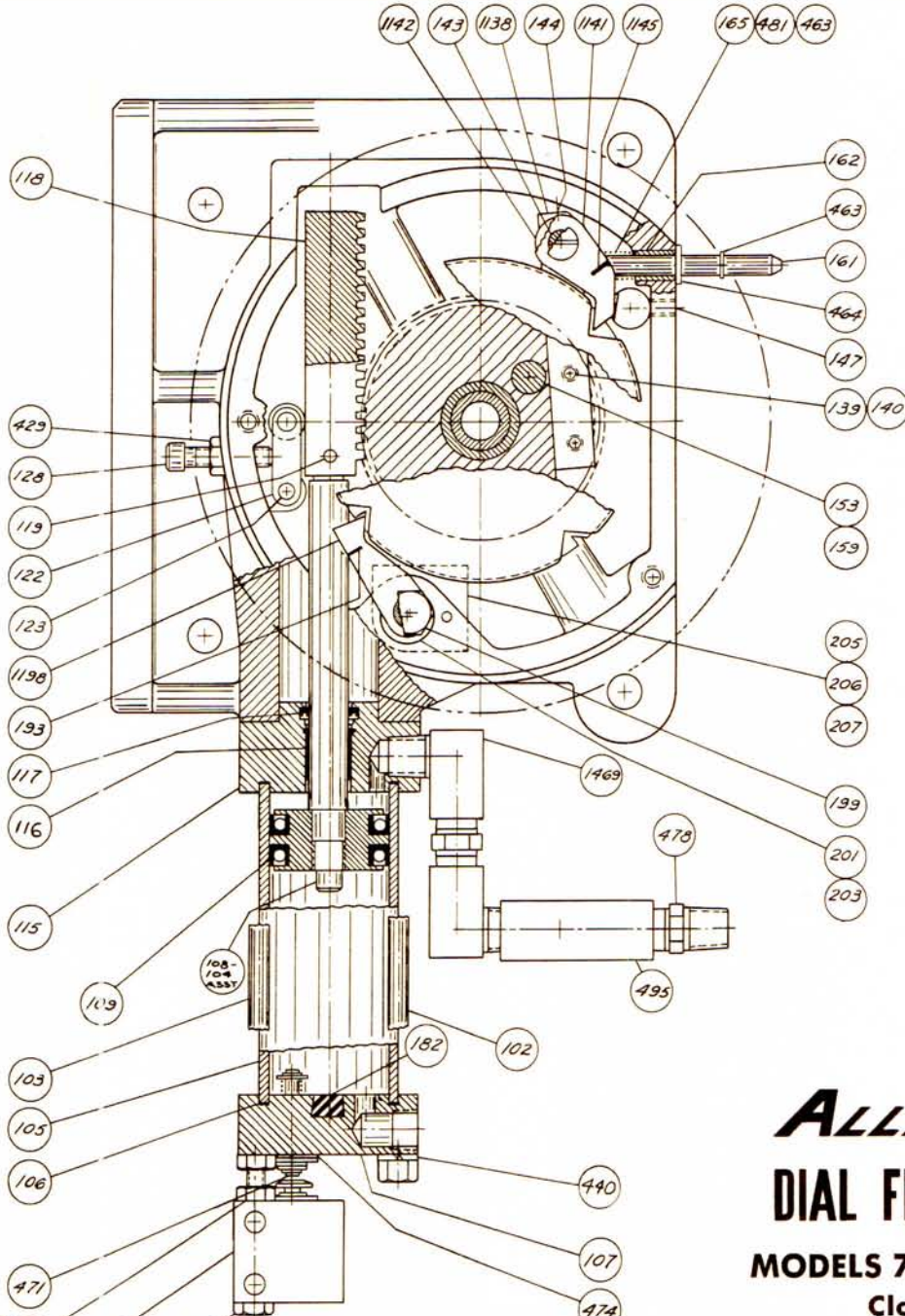
Form No. TPLPS

**ALLENNAIR CORP.**

255 EAST SECOND STREET • MINEOLA, N.Y. 11501 • Phone: 516-747-5450

SEPTEMBER 1, 1977

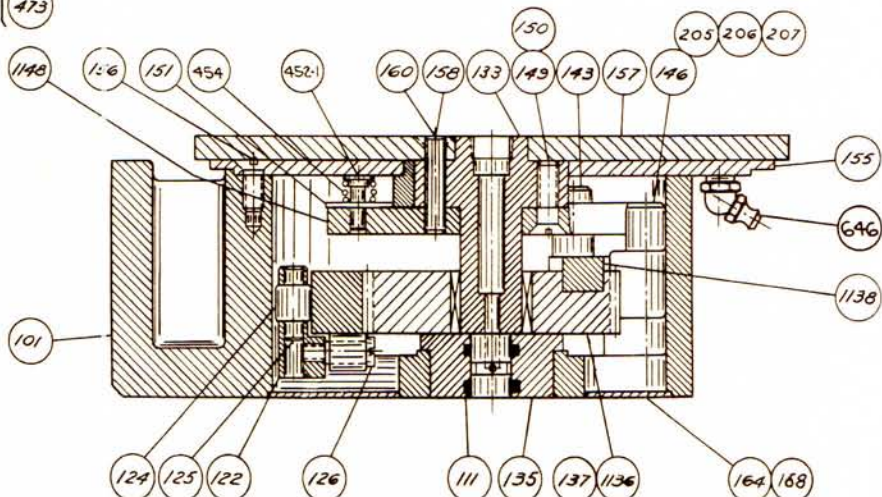
Printed in U.S.A.



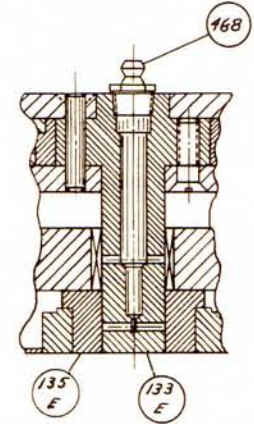
ON TYPES  
"B" & "C" ONLY

- 472
- V-2
- 473

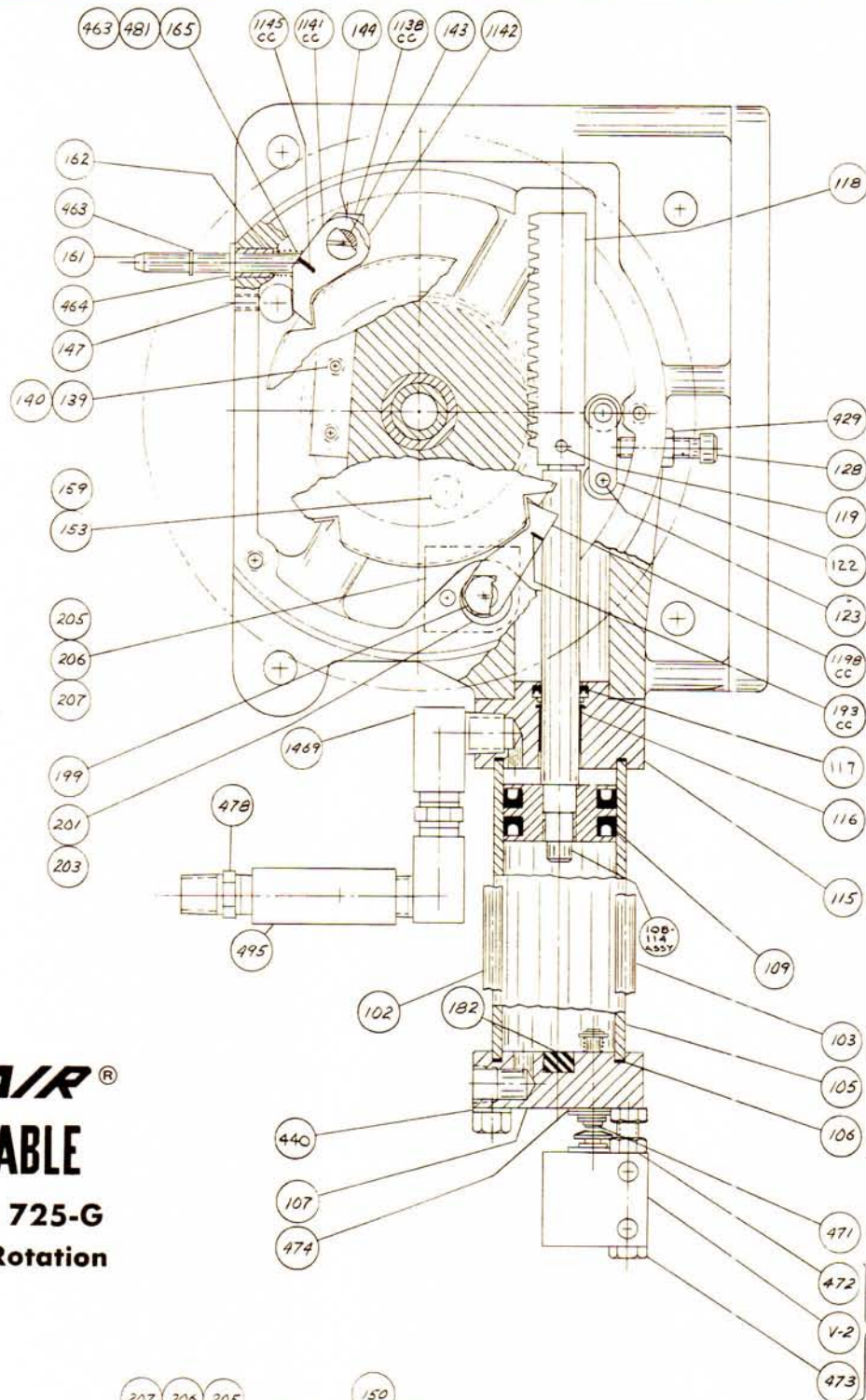
**ALLENNAIR<sup>®</sup>**  
**DIAL FEED TABLE**  
**MODELS 725-E & 725-G**  
**Clockwise**



**725-G**

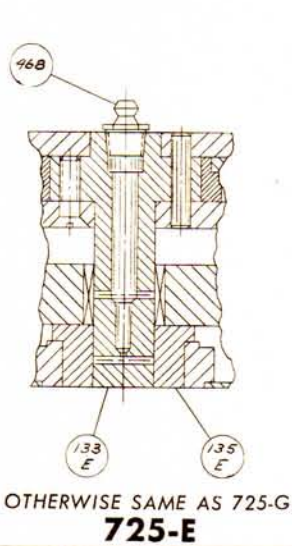


OTHERWISE SAME AS 725-G  
**725-E**

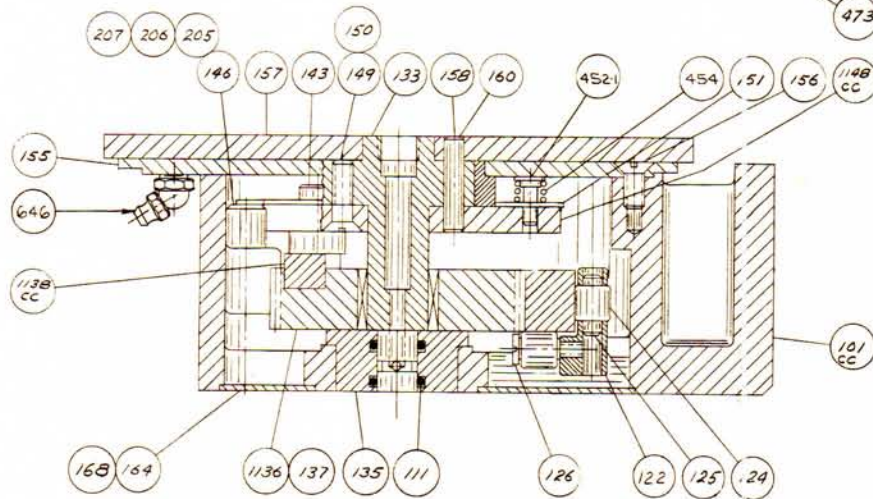


ON TYPES  
"B & C" ONLY

**ALLENNAIR<sup>®</sup>**  
**DIAL FEED TABLE**  
**MODELS 725-E & 725-G**  
**Counterclockwise Rotation**



OTHERWISE SAME AS 725-G  
**725-E**



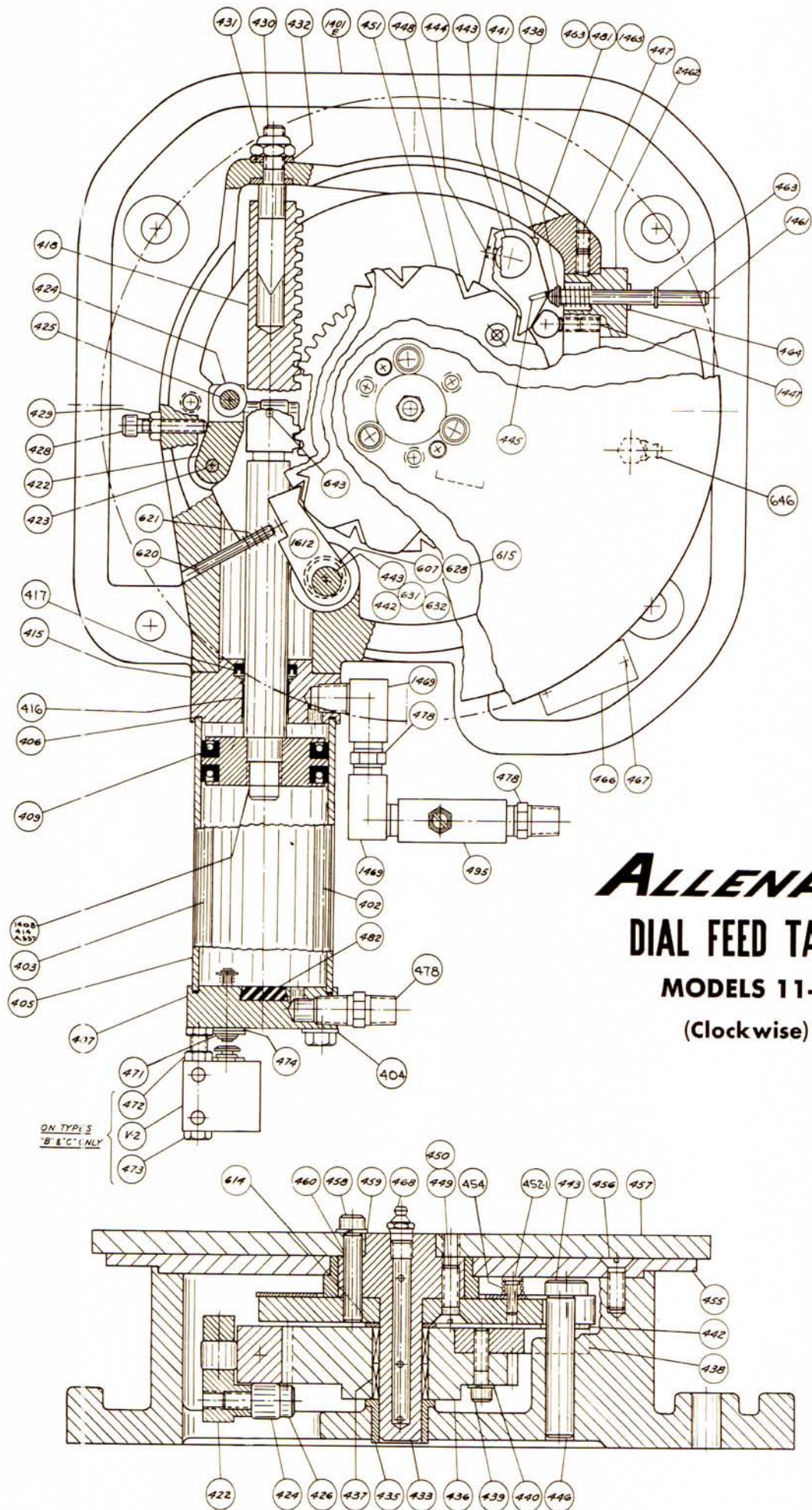
**725-G**

# PARTS PRICE LIST FOR MODELS 725-E and 725-G DIAL FEED TABLES

PART No.	DESCRIPTION	REQ.	PRICE EACH
101	Table Casting	1	\$137.50
101-CC	Table Casting (CC)		137.50
102	Cylinder Long Tie Bolt	2	.60
103	Cylinder Short Tie Bolt	2	.60
105	Cylinder	1	25.10
105-Ass'y.	Cylinder Ass'y. Only		88.75
105-118 Ass'y.	Cylinder & Rack Ass'y.		96.85
106	Cylinder End Gasket	2	.60
107	Cylinder Cap	1	15.95
109	Piston "U" Cup	2	1.00
111	"O" Ring Seal	3	.60
108-114-Ass'y.	Piston Rod Ass'y. Less Rack	1	14.90
115	Cylinder Nose Piece	1	19.80
116	Cylinder Nose Piece Bearing	1	1.20
117	Cylinder Nose Piece "U" Cup	1	1.00
118	Rack	1	9.90
119	Rack Pin	1	.55
122	Rack Outboard Support	1	12.10
122-Ass'y.	Rack Support Ass'y.		19.45
122-CC-Ass'y.	Rack Support Ass'y. (CC)		19.45
123	Rack Support Pivot Pin	1	.55
124	Rack Support Needle Bearing	2	1.50
125	Rack Support Side Bearing Shaft	1	.60
126	Rack Support Lower Bearing Shaft	1	1.50
128	Rack Support Adjusting Screw	1	.50
*133-1148-Ass'y.	Center Stud & Indexing Plate Ass'y. (Models G) (Specify No. of Indexes)		82.50
*133-E-1148-Ass'y.	Center Stud & Indexing Plate Ass'y. (Models E) (Specify No. of Indexes)		82.50
*133-1148-CC-Ass'y.	Center Stud & Indexing Plate Ass'y. (CC) (Models G) (Specify No. of Indexes)		82.50
*133-E-1148-CC-Ass'y.	Center Stud & Indexing Plate Ass'y. (CC) (Models E) (Specify No. of Indexes)		82.50
135	Stud Bottom Bearing	1	9.65
135-E	Stud Bottom Bearing	1	9.65
1136	Gear	1	24.75
1136-Ass'y.	Gear Ass'y.		56.50
1136-CC-Ass'y.	Gear Ass'y. (CC)	1	56.50
137	Gear Needle Bearing	1	1.95
1138	Pawl Arm	1	8.25
1138-CC	Pawl Arm (CC)	1	8.25
139	Pawl Arm Mounting Screw	2	.40
140	Pawl Arm Mounting Screw Lock Washer	2	.40
1141	Feed Pawl	1	17.60
1141-CC	Feed Pawl (CC)	1	17.60
1142	Pawl Spacer	1	.60
143	Pawl Pivot Screw	1	2.10
144	Pawl Bearing Stud Set Screw	1	.40
1145	Pawl Spring	1	1.25
1145-CC	Pawl Spring (CC)	1	1.25

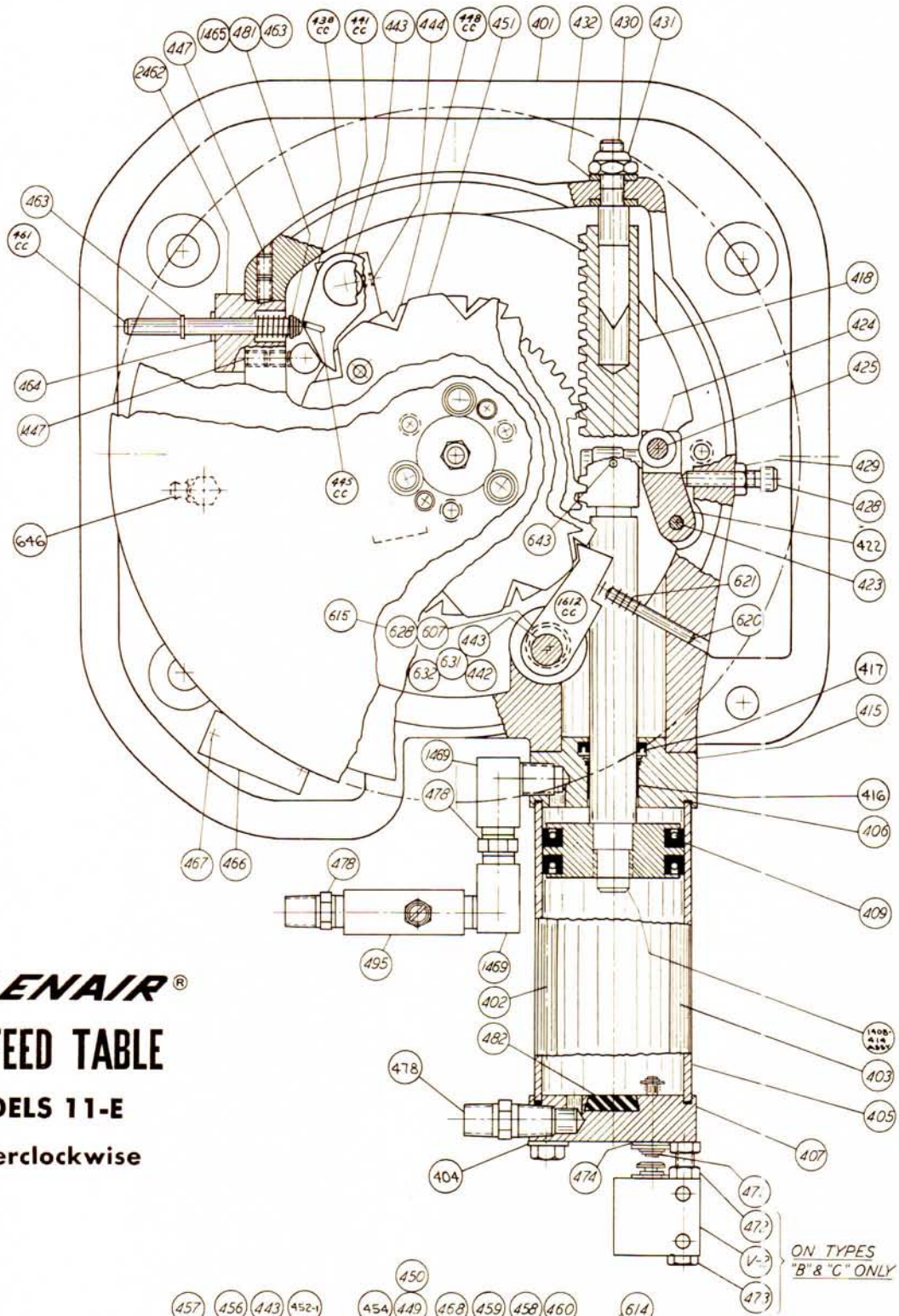
\*Note: These prices are for standard number of indexes. For special number of indexes, add on prices as shown in our Price List No. 134.

PART No.	DESCRIPTION	REQ.	PRICE EACH
146	Stop Pin	1	\$ 2.05
147	Stop Pin Screw	6	.40
149	Index Plate Screw	3	.40
150	Index Plate Screw Washer	3	.40
151	Baffle Plates (4-6-8-12)	1	6.60
151-SP	Baffle Plates Special Indexes		12.20
153	Gear Spacer Plug	1	1.60
155	Rider Plate & Bearing Assembly	1	44.00
156	Rider Plate Mounting Screw	3	.40
157-7"	Top Plate - 7" Dia.	1	32.35
157-10"	Top Plate - 10" Dia.	1	54.45
158	Top Plate Screw	3	.40
159	Gear Spacer Plug Screw	1	.40
160	Top Plate Dowel Pin	2	.60
161	Accessory Operating Pin	1	2.05
162	Accessory Operating Pin Bushing	1	1.00
164	Dust Plate	1	3.20
164-CC	Dust Plate (CC)	1	3.20
165	Accessory Operating Pin Spring	1	.60
166	Nameplate	1	-----
167	Nameplate Drive Screw	2	-----
168	Dust Plate Screws	2	.50
182	Rubber Bumper	1	.60
193	Anti-Backup Spring	1	.55
193-CC	Anti-Backup Spring (CC)	1	.55
1198	Anti-Backup Pawl	1	17.60
1198-CC	Anti-Backup Pawl (CC)	1	17.60
199	Anti-Backup Pawl Pivot	1	1.60
201	Anti-Backup Pawl Eccentric	1	2.85
203	Anti-Backup Pawl Pivot Set Screw	1	.90
205	Pawl Eccentric Clamp	1	3.70
206	Clamp Screw	1	.40
207	Clamp Pin	1	.40
429	Rack Support Adjusting Screw Nut	1	.40
440	Tie Bolt Washer	4	.40
452-1	Oilite Drag & Pin	3	1.40
454	Oilite Drag Spring	3	1.10
463	Accessory Pin Snap Ring	2	.40
464	Accessory Pin Outside Washer	1	.40
468	Center Stud Pressure Grease Fitting	1	.40
1469	¼ N.P.T. Street Elbow	2	.90
471	V-2 Valve Actuating Plunger Ass'y.	1	4.40
472	V-2 Valve Spacer Nut	4	.60
473	V-2 Valve Mounting Screw	2	.55
474	Fibre Gasket	1	.40
475	Conversion Kit - Model EA to EB		67.65
476	Conversion Kit - Model EA to EC		88.60
478	¼ x ¼ N.P.T. Connector	1	.65
481	Accessory Pin Inside Washer	1	.40
495	Speed Control Valve	1	12.95
646	Rider Plate Grease Fitting	1	.45
V-2	2-Way Valve	1	9.00
725-P	Complete Set of Packings		4.90

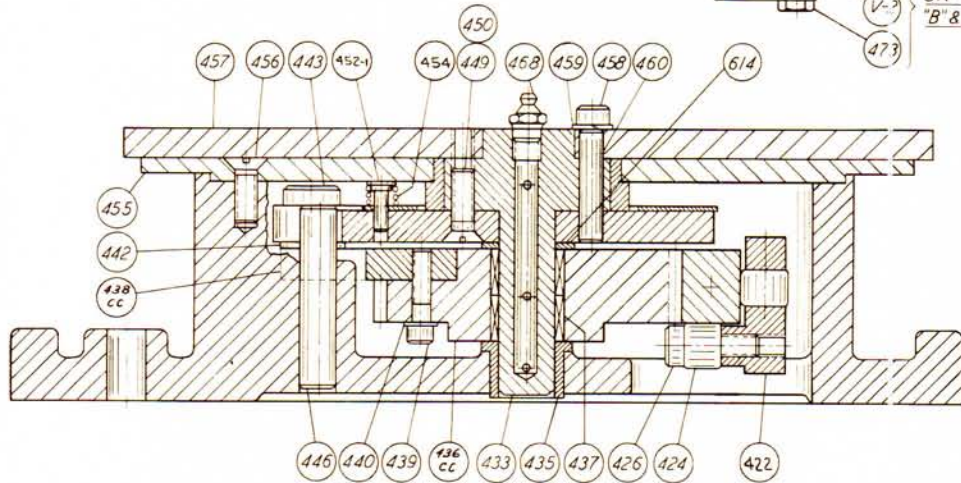


**ALLEN AIR®**  
**DIAL FEED TABLE**  
**MODELS 11-E**  
 (Clockwise)

ON TYPES  
 "B" & "C" ONLY



**ALLENNAIR®**  
**DIAL FEED TABLE**  
**MODELS 11-E**  
**Counterclockwise**



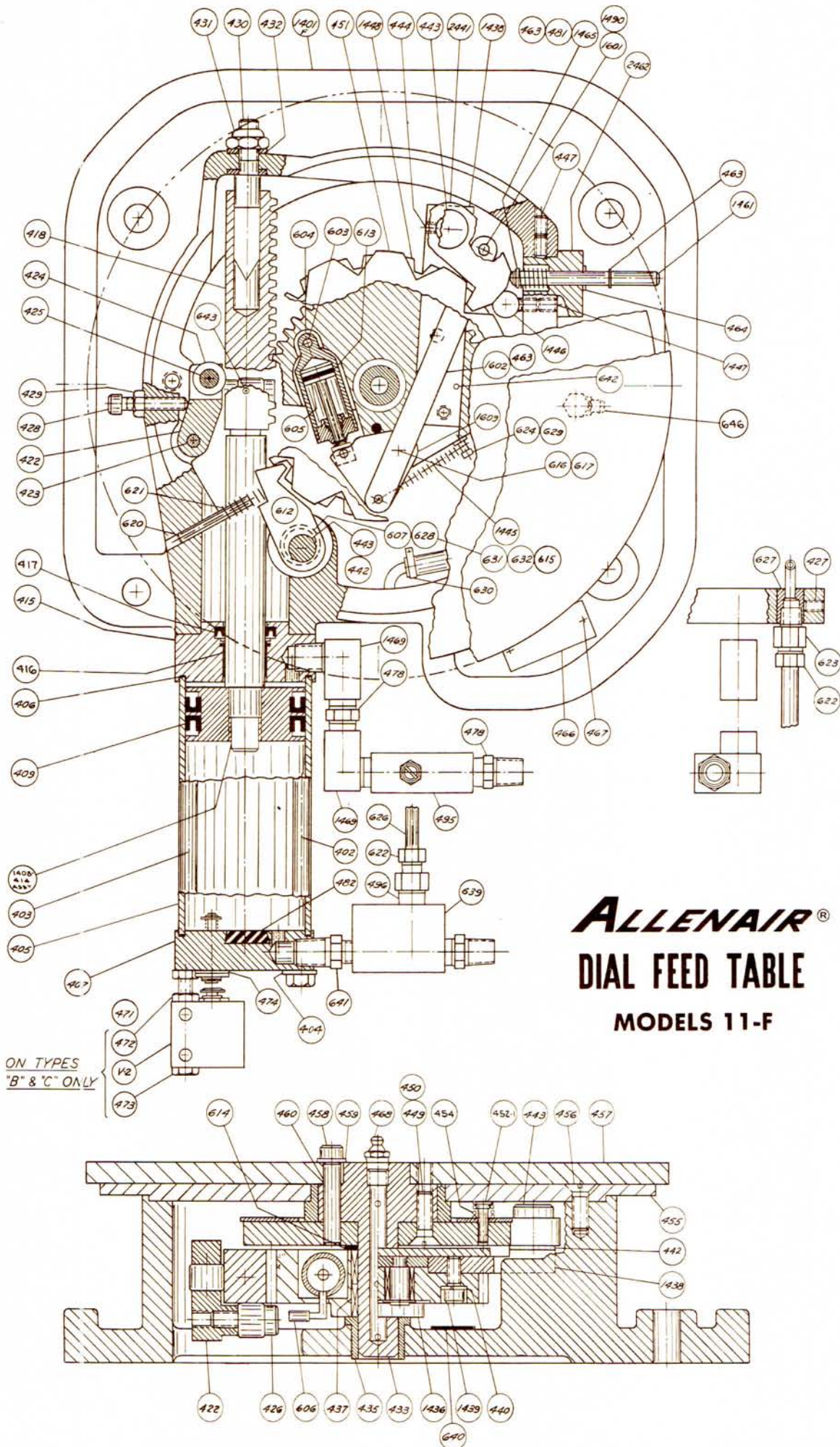
# PARTS PRICE LIST FOR MODELS 11-E DIAL FEED TABLES

PART No.	DESCRIPTION	REQ.	PRICE EACH
401	Counterclockwise Table Casting	1	\$165.00
1401-E	Clockwise Table Casting	1	165.00
402	Cylinder Long Tie Bolt	2	.60
403	Cylinder Short Tie Bolt	2	.60
404	Cylinder Tie Bolt Lock Washer	4	.40
405	Cylinder	1	25.05
405-Ass'y.	Cylinder Ass'y. Only		88.75
405-418 Ass'y.	Cylinder & Rack Ass'y.		101.20
406	Cylinder End Sealing Gasket	2	.60
407	Cylinder End Cap	1	18.15
409	Piston "U" Cup	2	1.00
1408-414-Ass'y.	Piston Rod Ass'y. less rack		19.50
1408-414-418 Ass'y.	Piston Rod Ass'y. with rack		33.00
415	Cylinder Nosepiece	1	22.00
416	Cylinder Nosepiece Bearing	1	2.05
417	Cylinder Nosepiece "U" Cup	1	1.00
418	Rack	1	13.75
422	Rack Support Casting	1	16.50
422-Ass'y.	Rack Support Ass'y.		19.45
422-CC-Ass'y.	Counterclockwise Rack Support Ass'y.		19.45
423	Rack Support Casting Swivel Pin	1	.60
424	Rack Support Needle Bearings	2	2.75
425	Rack Support Side Needle Bearing Shaft	1	.60
426	Rack Support Lower Needle Bearing Shaft	1	1.50
427	Rack Support Bearing Spacer	1	.40
428	Rack Support Adjusting Screw	1	.50
429	Rack Support Adjusting Lock Nut	1	.40
430	Rack Outboard Support	1	4.95
431	Rack Outboard Support Lock Nut	1	.60
*433-448-Ass'y.	Center Stud & Indexing Plate Ass'y. (Specify No. of Indexes)		99.00
*433-448-CC-Ass'y.	Counterclockwise Center Stud & Indexing Plate Ass'y. (Specify No. of Indexes)		99.00
435	Center Stud Lower Bearing	1	2.05
436	Gear	1	38.70
436-CC	Counterclockwise Gear	1	38.70
437	Gear Needle Bearing	2	1.95
438	Pawl Arm	1	8.25
438-CC	Counterclockwise Pawl Arm	1	8.25
439	Pawl Arm Mounting Screw	2	.40
440	Pawl Arm Mounting Screw Lock Washer	2	.40
441	Pawl	1	19.25
441-CC	Counterclockwise Pawl	1	19.25
442	Pawl Spacer	2	.60
443	Pawl Bearing Stud	2	4.40
444	Pawl Bearing Stud Lock Set Screw	1	.45
445	Pawl Spring	1	1.00
445-CC	Counterclockwise Pawl Spring	1	1.00
446	Pawl Stop Pin	1	2.05
447	Accessory Pin Bushing Lock Screw	2	.40
1447	Pawl Stop Pin Lock Set Screw	4	.40

\*Note: These prices are for standard number of indexes. For special number of indexes, add on prices as shown in our Price List No. 134.

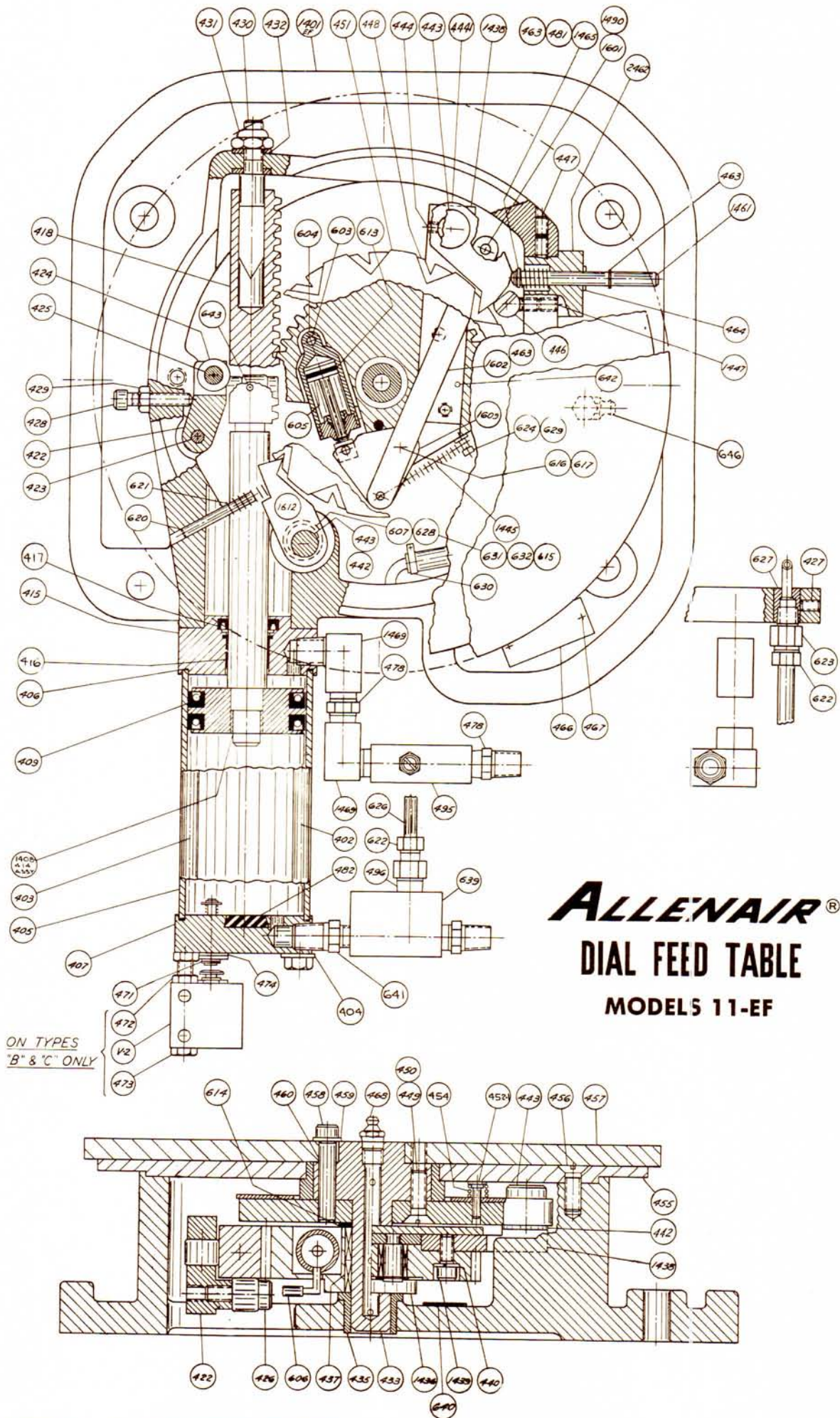


PART No.	DESCRIPTION (11-E)	REQ.	PRICE EACH
449	Index Plate Mounting Screw	3	\$ .40
450	Index Plate Mounting Screw Lock Washer	3	.40
451	Baffle Plates for 4, 6, 8 or 12 Indexes	1	6.60
451-SP	Baffle Plate Special Indexes		12.20
452-1	Oilite Drag & Pin	3	1.40
454	Oilite Drag Spring	3	1.10
455	Rider Plate & Bearing Ass'y.	1	55.00
456	Rider Plate Mounting Screw	3	.40
457-11"	Top Plate - 11" Dia.	1	65.45
457-16"	Top Plate - 16" Dia.	1	127.60
458	Top Plate Mounting Screw	3	.50
459	Top Plate Mounting Screw Lock Washer	3	.40
460	Top Plate Locating Dowel Pin	2	.60
461-CC	Counterclockwise Accessory Operating Pin	1	2.05
1461	Accessory Operating Pin	1	2.05
2462	Accessory Operating Pin Bushing	1	6.35
463	Accessory Operating Pin Snap Ring	2	.40
464	Accessory Operating Pin Flat Washer	1	.40
1465	Accessory Operating Pin Return Spring	1	.60
466	Nameplate	1	-----
467	Nameplate Drive Screws	2	-----
468	Center Stud Pressure Grease Fitting	1	.40
1469	¼" Street Ell Air Inlet	1	.85
471	V-2 Valve Actuating Plunger Ass'y.	1	4.40
472	V-2 Valve Spacer Nut	4	.60
473	V-2 Valve Bolt	2	.55
474	Fibre Gasket for Parts 470 & 471	1	.40
475	Conversion Kit to convert Model EA to EB		67.65
475-3	Lengths of neoprene hose - each		4.40
476	Conversion Kit to convert Model EA to EC		88.60
478	¼ x ¼ N.P.T. Connector	3	.65
481	Accessory Operating Pin Small Washer	1	.40
482	Piston Rod Bumper	1	.60
495	Speed Control Valve	1	12.95
607	Anti-Backup Pawl Eccentric	1	6.35
1612	Anti-Backup Pawl	1	19.25
1612-CC	Counterclockwise Anti-Backup Pawl	1	19.25
614	Gear Spacer Washer	1	.90
615	Anti-Backup Pawl Eccentric Set Screw	1	.55
620	Anti-Backup Pawl Spring Guidepin	1	.55
621	Anti-Backup Pawl Spring	1	1.00
628	Anti-Backup Pawl Snap Ring	1	.55
631	Backup Pawl Pivot Clamp	1	4.95
632	Pivot Clamp Screw	1	.50
643	Rack Dowel Pin	1	.55
646	Rider Plate Grease Fitting	1	.45
V-2	2-Way Valve	1	9.00
11-E-P	Complete Set of Packings		4.90



**ALLENNAIR®**  
**DIAL FEED TABLE**  
**MODELS 11-F**

ON TYPES  
 "B" & "C" ONLY



## PARTS PRICE LIST FOR MODELS 11-F & 11-EF DIAL FEED TABLES

PART No.	DESCRIPTION	REQ.	PRICE EACH
1401-F	Table Casting	1	\$165.00
*1401-EF	Table Casting	1	165.00
402	Cylinder Long Tie Bolt	2	.60
403	Cylinder Short Tie Bolt	2	.60
404	Cylinder Tie Bolt Lock Washer	4	.40
405	Cylinder	1	25.05
405-Ass'y.	Cylinder Ass'y. Only		88.75
405-418 Ass'y.	Cylinder & Rack Ass'y.		101.20
406	Cylinder End Sealing Gasket	2	.60
407	Cylinder End Cap	1	18.15
409	Piston "U" Cup	2	1.00
1408-414-Ass'y.	Piston Rod Ass'y. less rack		19.50
1408-414-418 Ass'y.	Piston Rod Ass'y. with rack		33.00
415	Cylinder Nosepiece	1	22.00
416	Cylinder Nosepiece Bearing	1	2.05
417	Cylinder Nosepiece "U" Cup	1	1.00
418	Rack	1	13.75
422	Rack Support Casting	1	16.50
422-Ass'y.	Rack Support Ass'y.		19.45
423	Rack Support Casting Swivel Pin	1	.60
424	Rack Support Needle Bearings	2	2.75
425	Rack Support Side Needle Bearings Shaft	1	.60
426	Rack Support Lower Needle Bearing Shaft	1	1.50
427	Rack Support Bearing Spacer	1	.40
428	Rack Support Adjusting Screw	1	.50
429	Rack Support Adjusting Screw Lock Nut	1	.40
430	Rack Outboard Support	1	4.95
431	Rack Outboard Support Lock Nut	1	.60
**433-1448 Ass'y.	Center Stud & Indexing Plate Ass'y. (Specify No. of Indexes)		110.00
435	Center Stud Lower Bearing	1	2.05
1436	Gear	1	74.25
1436-Ass'y.	Gear Ass'y.		137.15
437	Gear Needle Bearing	2	1.95
1438	Pawl Arm	1	8.25
1439	Pawl Arm Mounting Screw	2	.40
440	Pawl Arm Mounting Screw Lock Washer	2	.40
2441	Pawl	1	19.45
*4441	Pawl	1	19.45
442	Pawl Spacer	2	.60
443	Pawl Bearing Stud	2	4.40
444	Pawl Bearing Stud Lock Set Screw	1	.45
1445	Feed Pawl Spring	1	1.00

\*\*Note: This price is for standard number of indexes. For special number of indexes, add on prices as shown in our Price List No. 134.

PART No.	DESCRIPTION (11-F)	REQ.	PRICE EACH
1446	Pawl Stop Pin	1	\$ 2.05
*446	Pawl Stop Pin	1	2.05
447	Accessory Bushing Lock Screw	2	.40
1447	Pawl Stop Pin Lock Set Screw	4	.40
449	Index Plate Mounting Screw	3	.40
450	Index Plate Mounting Screw Lock Washer	3	.40
451	Baffle Plates for 4, 6, 8 or 12 Index	1	6.60
451-SP	Baffle Plate (Special Indexes)	1	12.20
452-1	Oilite Drag & Pin	3	1.40
454	Oilite Drag Spring	3	.40
455	Rider Plate & Bearing Ass'y.	1	55.00
456	Rider Plate Mounting Screw	3	.40
457-11"	Top Plate - 11" Dia.	1	65.45
457-16"	Top Plate - 16" Dia.	1	127.60
457-20"	Top Plate - 20" Dia.	1	193.60
458	Top Plate Mounting Screw	3	.50
459	Top Plate Mounting Screw Lock Washer	3	.40
460	Top Plate Locating Dowel Pin	2	.60
1461	Accessory Operating Pin	1	2.05
2462	Accessory Operating Pin Bushing	1	6.35
463	Snap Ring	3	.40
464	Accessory Pin Flat Washer	1	.40
1465	Accessory Operating Return Spring	1	.60
466	Nameplate	1	-----
467	Nameplate Drive Screws	2	-----
468	Center Stud Pressure Grease Fitting	1	.40
1469	¼ N.P.T. Street Elbow	2	.85
471	V-2 Valve Actuating Plunger Ass'y.	1	4.40
472	V-2 Valve Spacer Nut	4	.60
473	V-2 Valve Bolt	2	.55
474	Fibre Gasket for Parts 470 & 471	1	.40
475	Conversion Kit to convert Model 11-FA to 11-FB		67.65
475-3	Lengths of neoprene hose - each		4.40
476	Conversion Kit to convert Model 11-FA to 11-FC		88.60
478	¼ x ¼ N.P.T. Connector	3	.65
481	Accessory Pin Small Washer	1	.40
482	Piston Rod Bumper	1	.60
483-A	Hydraulic Check		95.50

PART No.	DESCRIPTION (11-F)	REQ.	PRICE EACH
1490	Pawl Eccentric Screw Nut	1	\$ .40
495	Speed Control Valve	1	12.95
496	Tube Fitting	1	.60
1601	Feed Pawl Eccentric Screw	1	3.05
1602	Tie Lever	1	17.60
603	Auxiliary Cylinder Anchor Pin	1	.90
604	Auxiliary Cylinder	1	11.00
604-Ass'y.	Auxiliary Cylinder Ass'y.	1	27.50
605-Ass'y.	Auxiliary Cylinder Piston Ass'y.	1	16.50
606	Flexible Hose	1	.60
607	Back Pawl Eccentric	1	6.35
1609	Triangular Plate	1	16.50
612	Anti-Backup Pawl	1	19.25
*1612	Anti-Backup Pawl	1	19.25
613	Auxiliary Cylinder Piston "O" Ring	1	.60
614	Gear Spacer Washer	1	.90
615	Back Pawl Eccentric Set Screw	1	.65
616	Triangular Plate Bearing	1	1.00
617	Triangular Plate Snap Ring	1	.55
620	Anti-Backup Spring Dowel	1	.55
621	Anti-Backup Spring	1	1.00
622	Tube Fitting Nut	2	.75
623	Tube Fitting	1	.75
624	Pawl Spring Screw	1	.55
626	¼ Copper Tubing	1	1.25
627	Elbow	1	.90
628	Anti-Backup Snap Ring	1	.55
629	Pawl Spring Nut	1	.55
630	Hose Clamp	2	.55
631	Backup Pawl Pivot Clamp	1	4.95
632	Pivot Clamp Screw	1	.50
639	Sequence Block (SQ-100)	1	28.00
640	Laminated Nylon Plate	1	2.50
641	1/8 x 1/4 Connector	1	.65
642	Pawl Arm Stop Pin	1	.55
643	Rack Dowel Pin	1	.55
644	Hose Clamp	1	.50
646	Rider Plate Grease Fitting	1	.45
V-2	2-Way Valve	1	9.00
11-F-P	Complete Set of Packings		4.90

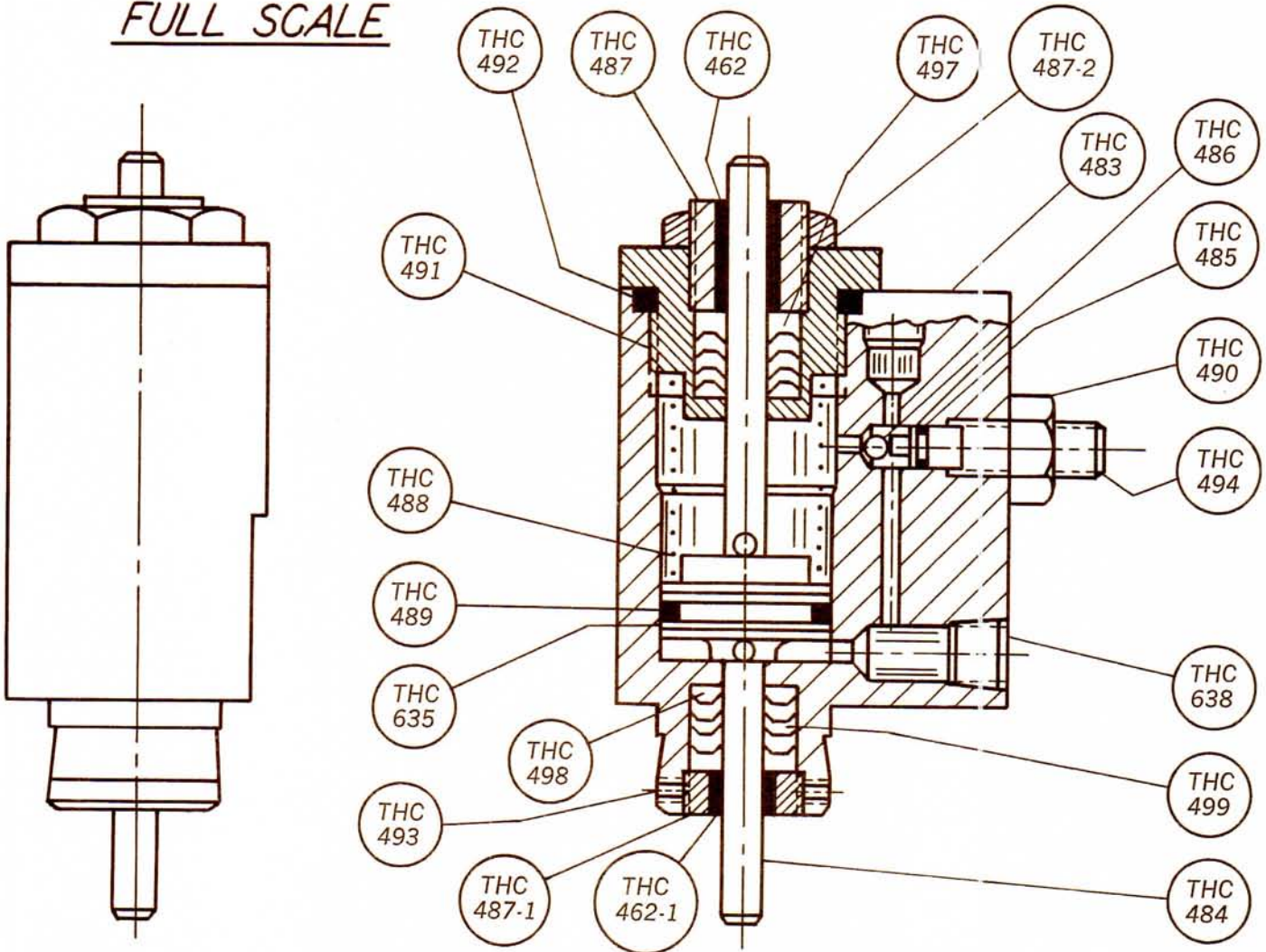
\*Note: Used on 11-EF Tables only.



# ALLEN AIR®

## DIAL FEED TABLE HYDRAULIC-CHECK #THC-483-A PARTS LIST

FULL SCALE



Part No.	Description	Required Per Unit	Price Each	Part No.	Description	Required Per Unit	Price Each
THC	End Bearing	1	X	THC-490	Adjusting Screw Nut	1	\$ .40
THC-462-1	End Bearing	1	X	THC-491	Plug Body	1	3.20
THC-483	Body	1	\$59.90	THC-492	Plug Body "O" Ring	1	.65
THC-484	Piston Rod Ass'y.	1	33.30	THC-493	End Plug Lock Scw.	2	.40
THC-485	Adjusting Screw "O" Ring	1	.55	THC-494	Adjustment Scw.	1	2.50
THC-486	Adjusting Screw Ball	1	.50	THC-497	Chevron Female Ring	2	.50
THC-487	End Plug Ass'y.	1	1.65	THC-498	Chevron Male Ring	2	.50
THC-487-1	End Plug Ass'y.	1	1.25	THC-499	Chevron Packing	2 sets	2.50 ea.
THC-487-2	End Plug Nut	1	.50	THC-500	Complete Set of Packings		8.10
THC-488	Large Spring	1	.65	THC-635	Piston Back-up Ring	1	.55
THC-489	Piston "O" Ring	1	.65	THC-638	Pipe Plug	3	.40

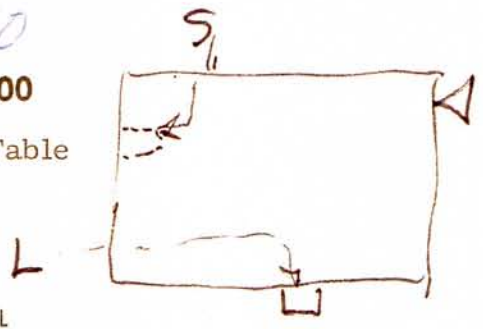
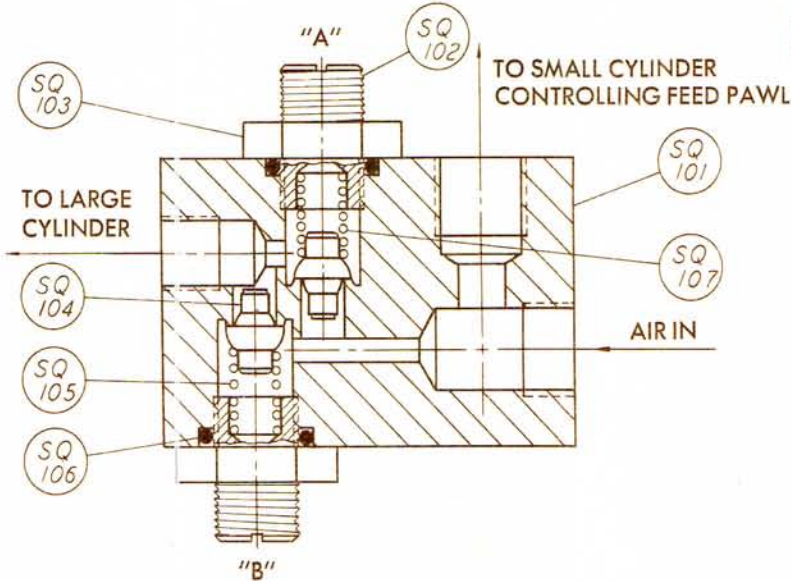


# ALLEN AIR®

\$29.60

## SEQUENCE VALVE SQ-100

Part #639 on Model 11F Table



No.	NAME	REQ'D	PRICE EACH
SQ-101	Body	1	\$22.00
SQ-102	Adj. Screw	2	3.40
SQ-103	Lock Nut	2	.60
SQ-104	Poppet	2	.50
SQ-105	Spring	1	.40
SQ-106	O-Ring	2	.55
SQ-107	Spring	1	.55

The functions of this valve are as follows:

- 1) Insure that the feed pawl will engage a notch before or at the same time as the pawl is starting forward.
- 2) Insure that the same feed pawl will disengage from the notch before or at the same time as it is starting backward by the return stroke of the piston in main cylinder.

Function #1 is controlled by screw "A" which should be set as opened as possible, as closing it more than required will slow down the forward indexing of the table.

Function #2 is controlled by screw "B" which, like screw "A", should be kept as opened as possible, as its setting will also affect the speed of the return stroke of the large piston.